

DH-PFA154

Pole Mount Bracket



Features

- Pole mount bracket
- Material: SECC & SUS304
- Aesthetic design

Technical Specification

Model DH-PFA154

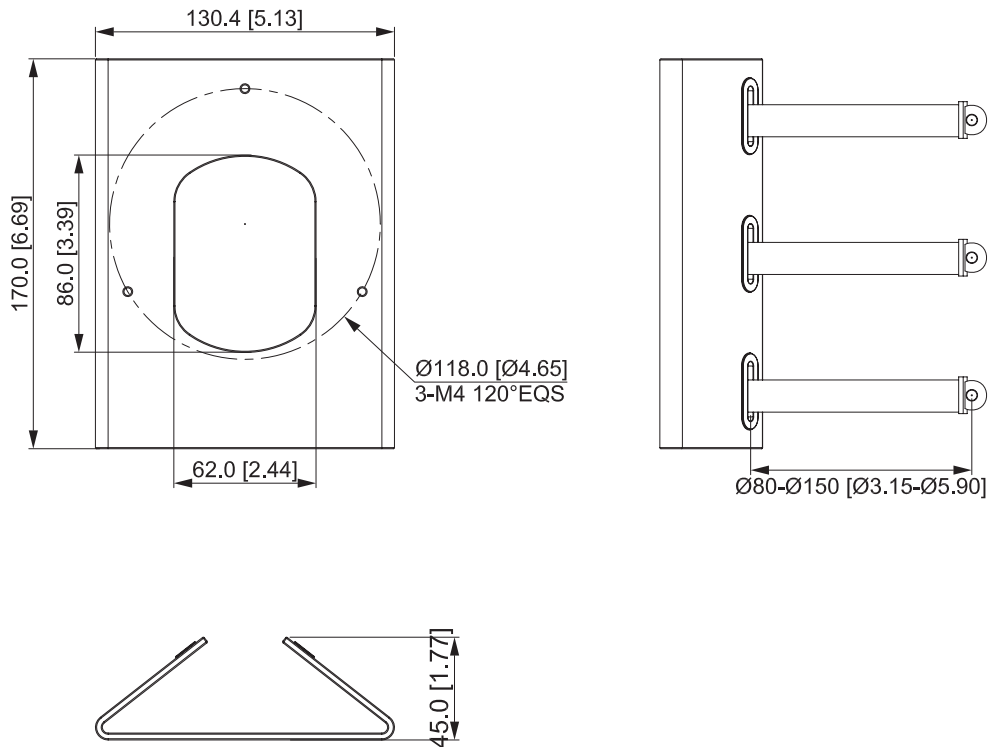
General

| | |
|-----------------------|---|
| Material | SECC & SUS304 |
| Dimension(WxHxD) | 130.4mmx170mmx45mm (5.13"x6.69"x1.77") |
| Mast Diameter | φ80~150mm(φ3.15"~5.91") |
| Pipe Thread | N/A |
| Operating Temperature | -40 °C ~ +60 °C (-40 °F ~ +140 °F) |
| Humidity | 0~90% RH |
| Load Bearing | 7kg(15.4lb) |
| Weight | 0.85kg(1.87lb) |
| Applicable Model | Please see "Accessory Selector" on www.dahuasecurity.com |

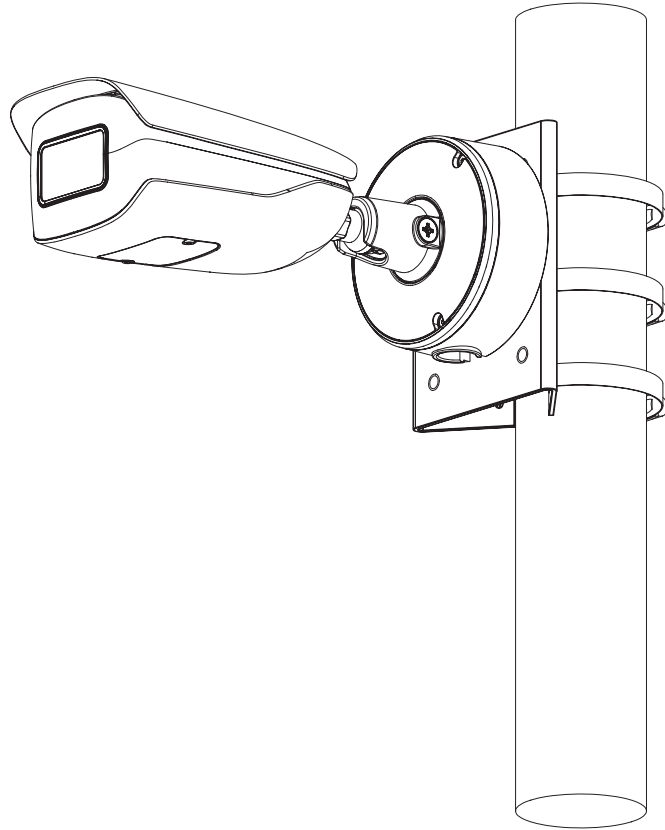
Ordering Information

| Type | Part Number | Description |
|---------------------|-------------|--------------------|
| Camera Mount Series | DH-PFA154 | Pole mount bracket |
| | PFA154 | Pole mount bracket |

Dimension(mm/inch)



Application



Package Information

- Pole mount bracket *1
- M4 screw *3
- Wrench *1
- 80~150mm metal hoop: 3